



LTseries LT208 LT208T

Two-way Loudspeaker System

The **LT208** is a compact, 8" coaxial-driver, 2-way, highly weather-resistant, full range loudspeaker with high SPL, the body is made of engineering plastic injection molding. The system conforms to IP56 international standard. LT208T is equipped with multi-tap transformer based on LT208.

LT208是一款8寸同轴两分音全天候音箱，箱体设计优先考虑全天候使用环境和高声压输出，采用8"中低音与高音驱动器同轴喇叭，中低音与高音全部采用号角负载设计，箱体采用工程塑胶注塑而成。LT208T是在LT208的基础上配置多种电压选择功能的定压音箱。产品符合IP56国际标准。

FEATURES

- Highly weather-resistant IP56 rating
- Engineering plastic injection molding
- High SPL
- Horn loaded design for coaxial components
- Good used for sports facilities, stadiums, water parks, outdoor background music, swimming pools and a wide variety of other outdoor venue types.

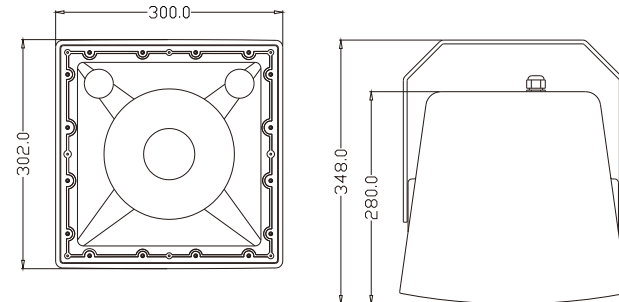
产品特点

- 高质量单元配置，工程塑胶箱体
- 号角负载设计，高音压级输出
- 单元隐藏式安装，适应全天候使用
- 超长品质保证期：品质与信心的保证

适用范围

- 用于中远程语言扩声
- 广场、主题公园、景区扩声

CONFIGURATION



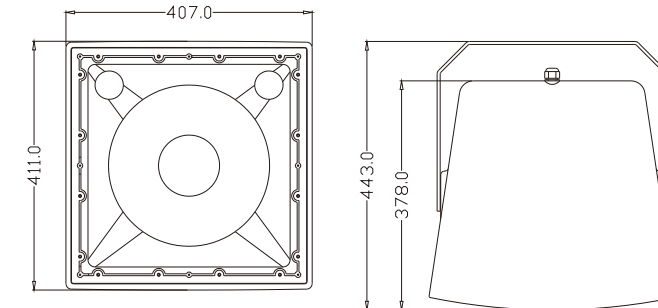
LTseries LT212 LT212T

Two-way Loudspeaker System

The **LT212** is a compact, 12" coaxial-driver, 2-way, highly weather-resistant full range loudspeaker with high SPL, the body is made of engineering plastic injection molding. The system conforms to IP56 international standard. LT212T is equipped with multi-tap transformer based on LT212.

LT212是一款12寸同轴两分音全天候音箱，箱体设计优先考虑全天候使用环境和高声压输出，采用12"中低音与高音驱动器同轴喇叭，中低音与高音全部采用号角负载设计，箱体采用工程塑胶注塑而成。LT212T是在LT208的基础上配置多种电压选择功能的定压音箱。产品符合IP56国际标准。

CONFIGURATION



FEATURES

- Highly weather-resistant IP56 rating
- Engineering plastic injection molding
- High SPL
- Horn loaded design for coaxial components
- Good used for sports facilities, stadiums, water parks, outdoor background music, swimming pools and a wide variety of other outdoor venue types.

产品特点

- 高质量单元配置，工程塑胶箱体
- 号角负载设计，高音压级输出
- 单元隐藏式安装，适应全天候使用
- 超长品质保证期：品质与信心的保证

适用范围

- 用于中远程语言扩声
- 广场、主题公园、景区扩声

MODEL	LT208	LT208T
FREQUENCY RESPONSE(-3dB)	80Hz-18kHz	80Hz-18kHz
FREQUENCY RESPONSE(-10dB)	75Hz-20kHz	75Hz-20kHz
DRIVERS	1×8"(200mm)/2" voice coil LF 1×1"(25mm)/1.4"voice coil HF	1×8"(200mm)/2" voice coil LF 1×1"(25mm)/1.4"voice coil HF
INPUT VOLTAGE		100V
RATED POWER	150W RMS,600W peak	37.5W/75W/150W/OFF/8Ω
SENSITIVITY	96dB 1watt/1 metre	96dB 1watt/1 metre
MAXIMUM SPL	117dB continuous,123dB peak	117dB continuous,123dB peak
IMPEDANCE	8 ohms nominal	8 ohms nominal
DISPERSION(-6dB)	100°×100°	100°×100°
CROSSOVER FREQUENCIES	2.5kHz passive	2.5kHz passive
INPUT CONNECTORS	covered barrier strip terminals	covered barrier strip terminals
PACKAGE SIZE	410mm×368mm×377mm	410mm×368mm×377mm
NET WEIGHT	10 kg/pc	11 kg/pc
GROSS WEIGHT	12 kg/pc	13 kg/pc

MODEL	LT212	LT212T
FREQUENCY RESPONSE(-3dB)	55Hz-18kHz	55Hz-18kHz
FREQUENCY RESPONSE(-10dB)	50Hz-20kHz	50Hz-20kHz
DRIVERS	1×12"(300mm)/3"voice coil LF 1×1"(25mm)/1.7"voice coil HF	1×12"(300mm)/3"voice coil LF 1×1"(25mm)/1.7"voice coil HF
INPUT VOLTAGE		100V
RATED POWER	300W RMS,1200W peak	50W/100W/200W/OFF/8Ω 300W
SENSITIVITY	98dB 1watt/1 metre	98dB 1watt/1 metre
MAXIMUM SPL	122dB continuous,128dB peak	122dB continuous,128dB peak
IMPEDANCE	8 ohms nominal	8 ohms nominal
DISPERSION(-6dB)	80°×80°	80°×80°
CROSSOVER FREQUENCIES	2.2kHz passive	2.2kHz passive
INPUT CONNECTORS	covered barrier strip terminals	covered barrier strip terminals
PACKAGE SIZE	518mm×495mm×505mm	518mm×495mm×505mm
NET WEIGHT	18 kg/pc	20 kg/pc
GROSS WEIGHT	20 kg/pc	22 kg/pc