

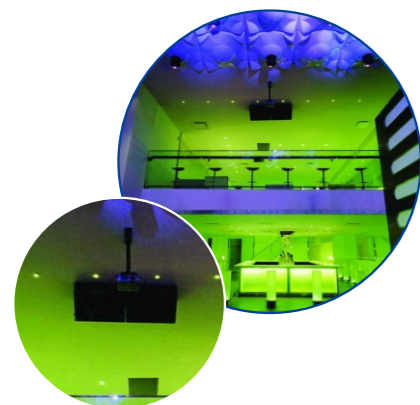
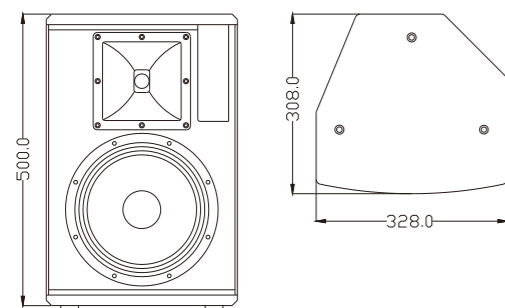
U series U110V

Two-way Loudspeaker System

The U110V is an all-purpose full-range loudspeaker designed for near-field contracting applications. Rated at 250 watts(RMS), fitted with one 10" woofer and one 1" exit compression driver coupled to a wide dispersion HF horn.

U110V 是一款10"两分音全音域音箱。采用一只10"高效率中低音单元，一只1"喉口44芯高分子聚酯膜高音驱动器配置90°×50°可旋转号角，箱体采用多层复合夹板，水性环保喷涂制作。

CONFIGURATION



MODEL	U110V
FREQUENCY RESPONSE(-3dB)	55 Hz-18kHz
FREQUENCY RESPONSE(-10dB)	50 Hz-20kHz
DRIVERS	1×10"(250mm)/2.5"voice coil LF 1×1"(25mm)/1.7"voice coil HF
RATED POWER	250W RMS,1000W peak
SENSITIVITY	95dB 1watt/1 metre
MAXIMUM SPL	119dB continuous,125 dB peak
IMPEDANCE	8 ohms nominal
DISPERSION(-6dB)	90°×50°
CROSSOVER FREQUENCIES	2kHz passive
INPUT CONNECTORS	2×Speakon NL4
PACKAGE SIZE	400mm×390mm×595mm
NET WEIGHT	15 kg/pc
GROSS WEIGHT	18 kg/pc



FEATURES

- High quality plywood with special environmental protection paint
- Ultra-compact two way system
- Rotatable 90°×50° horn
- Mid-high frequency's sensitivity can be adjusted
- High power output
- Flexible mounting options
- Top hat fitting for tripod

产品特点

- 中高音灵敏度可调
- 高质量单元配置，高强度夹板箱体
- 体积小、大声压
- 多吊挂点与支撑配合，操作简易快捷
- 超长品质保证期：品质与信心的保证

适用范围

- 用于全音域扩声、会议系统
- 多功能厅、高级酒店会所
- 流动商演、乐队扩声以及舞台返送音箱

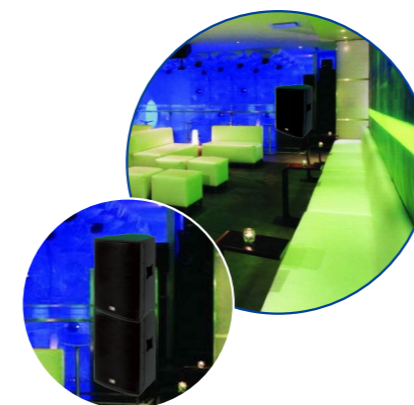
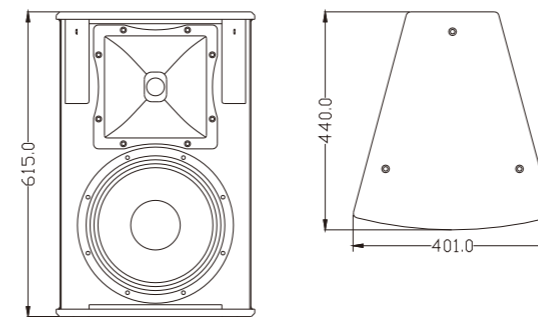
U series U112VH

Two-way Loudspeaker System

The U112VH is the ideal general-purpose loudspeaker with a wide frequency response, suitable for all kinds of mid-field theatre and live venue applications that require professional sound quality.

U112VH是一款12"两分音全音域音箱，采用一只12"高效率中低音单元，一只1.4"喉口75芯复合振膜高音驱动器配置90°×40°可旋转号角，箱体采用多层复合夹板，水性环保喷涂制作。

CONFIGURATION



MODEL	U112VH
FREQUENCY RESPONSE(-3dB)	50 Hz-18kHz
FREQUENCY RESPONSE(-10dB)	45 Hz-20kHz
DRIVERS	1×12"(300mm)/3"voice coil LF 1×1.4"(36mm)/3"voice coil HF
RATED POWER	450W RMS,1800W peak
SENSITIVITY	97dB 1watt/1 metre
MAXIMUM SPL	124dB continuous,130 dB peak
IMPEDANCE	8 ohms nominal
DISPERSION(-6dB)	90°×40°
CROSSOVER FREQUENCIES	1.5kHz passive
INPUT CONNECTORS	2×Speakon NL4
PACKAGE SIZE	530mm×495mm×710mm
NET WEIGHT	25 kg/pc
GROSS WEIGHT	29 kg/pc



FEATURES

- High quality plywood with special environmental protection paint
- Compact two-way passive system
- Mid-high frequency's sensitivity can be adjusted
- Rotatable 90°×40° horn
- Flexible mounting options
- Top hat fitting for tripod

产品特点

- 高质量单元配置，高强度夹板箱体
- 重量轻便于搬运和固定安装
- 多吊挂点与支撑配合，操作简易快捷
- 超长品质保证期：品质与信心的保证

适用范围

- 用于全音域扩声
- 多功能厅、高级酒店会所
- 流动商演、固定安装