

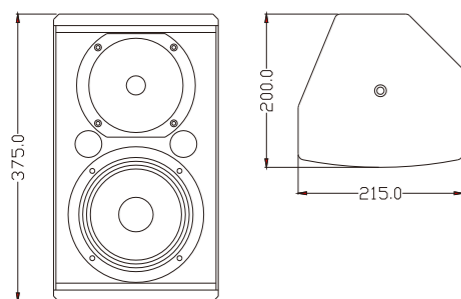
U series U106V

Two-way Loudspeaker System

The U106V is an all-purpose full-range loudspeaker designed for near-field contracting applications. Rated at 120 watts(RMS), fitted with one 6.5" woofer and one 1" exit compression driver coupled to a wide dispersion HF horn.

U106V是一款6.5"两分音全音域音箱，采用一只6.5"高效率中低音单元，一只1"喉口25芯高分子聚酯膜高音驱动器配置120°恒指向性号角，箱体采用多层复合夹板，水性环保喷涂制作。

CONFIGURATION



FEATURES

- High quality plywood with special environmental protection paint
- Ultra-compact two way system
- Constant dispersion 120° horn
- Flexible mounting options

产品特点

- 高质量单元配置，高强度夹板箱体
- 体积小、大声压
- 超长品质保证期：品质与信心的保证

适用范围

- 用于全音域扩声、语言扩声会议系统
- 背景音乐，酒吧舞厅等

MODEL

FREQUENCY RESPONSE(-3dB)
FREQUENCY RESPONSE(-10dB)
DRIVERS

RATED POWER

SENSITIVITY

MAXIMUM SPL

IMPEDANCE

DISPERSION(-6dB)

CROSSOVER FREQUENCIES

INPUT CONNECTORS

PACKAGE SIZE

NET WEIGHT

GROSS WEIGHT

U106V

80 Hz-18kHz

75 Hz-20kHz

1×6.5"(165mm)/2"voice coil LF

1×1"(25mm)/1"voice coil HF

120W RMS,480W peak

90dB 1watt/1 metre

110dB continuous,116 dB peak

8 ohms nominal

120°

3.2kHz passive

2×Speakon NL4

510mm×285mm×450mm(carton/pair)

6 kg/pc

15 kg/pair

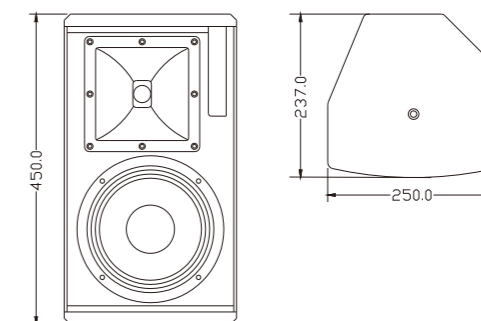
U series U108V

Two-way Loudspeaker System

The U108V is an all-purpose full-range loudspeaker designed for near-field contracting applications. Rated at 150 watts(RMS), fitted with one 8" woofer and one 1" exit compression driver coupled to a wide dispersion HF horn.

U108V是一款8"两分音全音域音箱，采用一只8"高效率中低音单元，一只1"喉口25芯高分子聚酯膜高音驱动器配置90°×50°可旋转号角，箱体采用多层复合夹板，水性环保喷涂制作。

CONFIGURATION



FEATURES

- High quality plywood with special environmental protection paint
- Ultra-compact two way system
- Rotatable 90°×50° horn
- Mid-high frequency's sensitivity can be adjusted
- Flexible mounting options
- Top hat fitting for tripod

产品特点

- 中高音灵敏度可调
- 高质量单元配置，高强度夹板箱体
- 体积小、大声压
- 多吊挂点与支撑配合，操作简易快捷
- 超长品质保证期：品质与信心的保证

适用范围

- 用于全音域扩声、语言扩声会议系统
- 背景音乐，酒吧舞厅等也可作为小型舞台返送音箱

MODEL

FREQUENCY RESPONSE(-3dB)
FREQUENCY RESPONSE(-10dB)
DRIVERS

RATED POWER

SENSITIVITY

MAXIMUM SPL

IMPEDANCE

DISPERSION(-6dB)

CROSSOVER FREQUENCIES

INPUT CONNECTORS

PACKAGE SIZE

NET WEIGHT

GROSS WEIGHT

U108V

60 Hz-18kHz

55 Hz-20kHz

1×8"(200mm)/2"voice coil LF

1×1"(25mm)/1"voice coil HF

150W RMS,600W peak

93dB 1watt/1 metre

115dB continuous,121 dB peak

8 ohms nominal

90°×50°

2.8kHz passive

2×Speakon NL4

330mm×320mm×540mm

10 kg/pc

12 kg/pc