

The K103/203/403/803/1603 is a series product, using the high quality 3" neodymium speaker units skillfully assembled into small speakers and column speakers to meet the demands of different small and medium-scaled places, and the box body is made of aluminium alloy. The IP46 international standard can be met based on special request.

K103/K203/K403/K803/K1603 是一个系列产品, 利用优质3"喇叭单元巧妙组合成的小型音箱和音柱, 以满足不同中小型场所使用需求, 箱体采用铝合金制作。可应需求做到满足IP46国际标准。

FEATURES

- Light weight aluminium alloy enclosure
- Multi combinations and installation ways
- Used for moving performance, church and multi-purpose hall

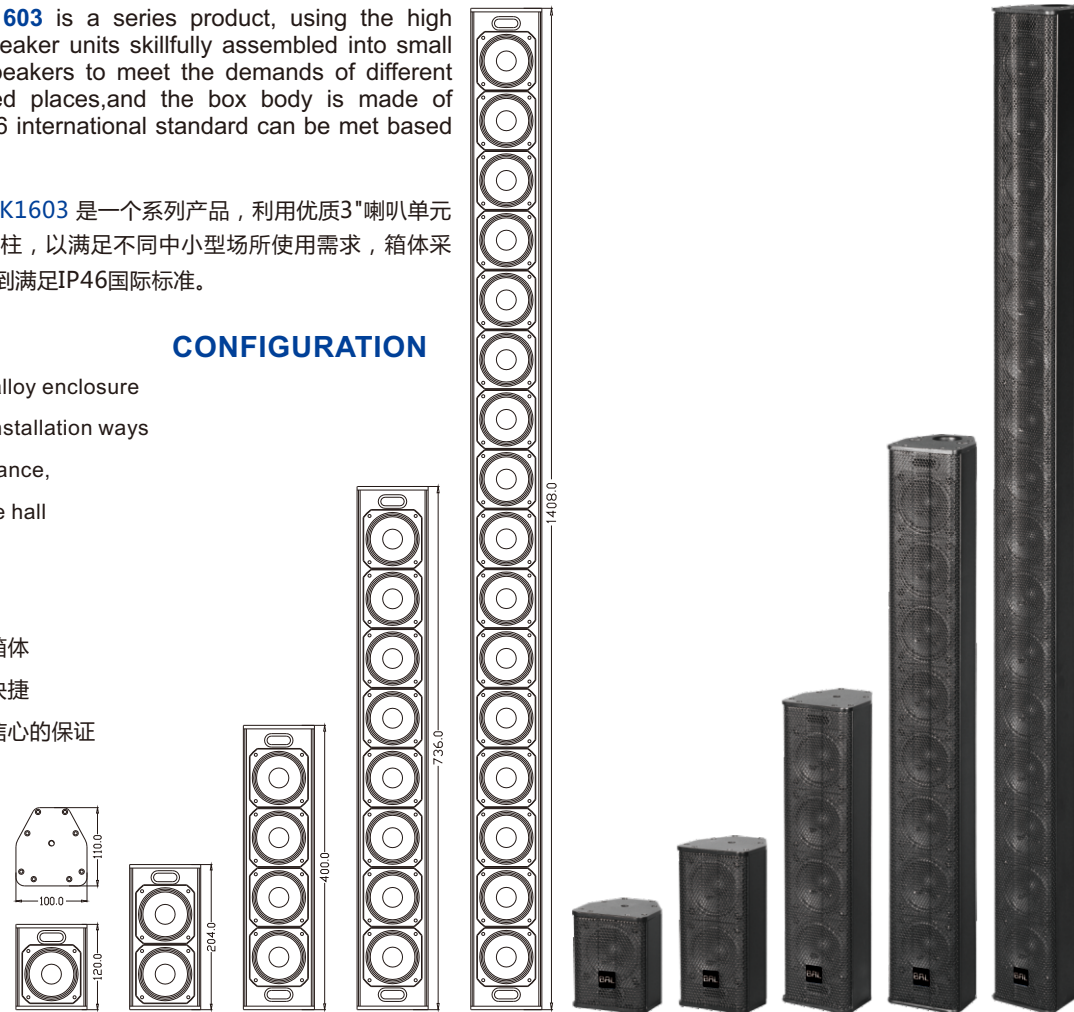
CONFIGURATION

产品特点

- 高质量单元配置, 铝合金箱体
- 多种安装方式, 操作简易快捷
- 超长品质保证期: 品质与信心的保证

适用范围

- 会议室, 多功能厅、教堂、小型流动商演



MODEL	K103	K203	K403	K803	K1603
FREQUENCY RESPONSE(-3dB)	120Hz-18kHz	120Hz-18kHz	120Hz-18kHz	120Hz-18kHz	120Hz-18kHz
FREQUENCY RESPONSE(-10dB)	115Hz-20kHz	115Hz-20kHz	115Hz-20kHz	115Hz-20kHz	115Hz-20kHz
DRIVERS	1×3"(83mm) 0.8"voice coil Mid/High Unit	2×3"(83mm) 0.8"voice coil Mid/High Unit	4×3"(83mm) 0.8"voice coil Mid/High Unit	8×3"(83mm) 0.8"voice coil Mid/High Unit	16×3"(83mm) 0.8"voice coil Mid/High Unit
RATED POWER	25W RMS 100W peak	50W RMS 200W peak	100W RMS 400W peak	200W RMS, 800W peak	400W RMS 1600W peak
SENSITIVITY	88dB 1watt/1meter	91dB 1watt/1meter	94dB 1watt/1meter	97dB 1watt/1meter	100dB 1watt/1meter
MAXIMUM SPL	102dB continuous 108dB peak	108dB continuous 114dB peak	114dB continuous 120dB peak	120dB continuous, 126dB peak	126dB continuous 132dB peak
IMPEDANCE	16 ohms nominal	8 ohms nominal	16 ohms nominal	8 ohms nominal	4 ohms nominal
DISPERSION(-6dB)	60° x 40°	60° x 30°	70° horizontal	70° horizontal	70° horizontal
INPUT CONNECTORS	2×Speakon NL4	2×Speakon NL4	2×Speakon NL4	2×Speakon NL4	2×Speakon NL4
PACKAGE SIZE	330x230x160mm (4 pcs/carton)	330x230x245mm (4 pcs/carton)	285x210x465mm (1pair/carton)	826x340x195mm (1pair/carton)	1498x340x195mm (1pair/carton)
NET WEIGHT	1.3 kg/pc	1.9 kg/pc	2.7 kg/pc	4.7 kg/pc	8.8 kg/pc
GROSS WEIGHT	7 kg/carton	10 kg/carton	7 kg/pair	12 kg/pair	21 kg/pair

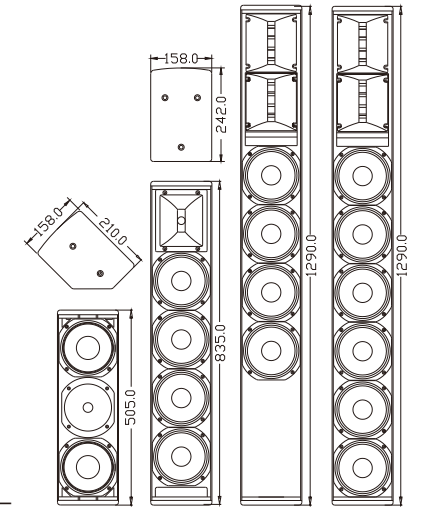
The K306/506/606/806 are a series of product, using the high quality 6" neodymium LF drivers and neodymium HF drivers coupled to special designed horns assembled into small speakers and column speakers to meet the demands of different small and medium-scaled places, and the box body is made of high quality plywood with polyurea waterproof paint.

K306/K506/K606/K806是一个系列产品, 利用优质6"单元、高品质驱动器及特别设计的号角组合成的音箱和音柱, 以满足中小型流动演出和固定位置使用, 箱体采用多层复合夹板, 聚脲喷涂。

FEATURES

- High quality plywood with polyurea waterproof paint
- Multi combinations and installation ways
- Used for moving performance, church and multi-purpose hall

CONFIGURATION



产品特点

- 高质量单元配置, 多层复合夹板箱体
- 多种使用和安装方式, 操作简易快捷
- 超长品质保证期: 品质与信心的保证

适用范围

- 流动商演、教堂、会议室、多功能厅



MODEL	K306	K506	K606	K806
FREQUENCY RESPONSE(-3dB)	80Hz-18kHz	80Hz-18kHz	80Hz-18kHz	80Hz-18kHz
FREQUENCY RESPONSE(-10dB)	75Hz-20kHz	75Hz-20kHz	75Hz-20kHz	75Hz-20kHz
DRIVERS	2×6"(150mm) 1.5"voice coil LF 1×1"(25mm) 1.7"voice coil HF	4×6"(150mm) 1.5"voice coil LF 1×1"(25mm) 1.7"voice coil HF	4×6"(150mm) 1.5"voice coil LF 2×1"(25mm) 1.7"voice coil HF	6×6"(150mm) 1.5"voice coil LF 2×1"(25mm) 1.7"voice coil HF
RATED POWER	160W RMS, 640W peak	320W RMS, 1280W peak	320W RMS, 1280W peak	480W RMS, 1920W peak
SENSITIVITY	95dB 1watt/1meter	98dB 1watt/1meter	98dB 1watt/1meter	100dB 1watt/1meter
MAXIMUM SPL	118dB continuous 124dB peak	123dB continuous 129dB peak	123dB continuous 129dB peak	126dB continuous 132dB peak
IMPEDANCE	8 ohms nominal	8 ohms nominal	8 ohms nominal	6 ohms nominal
DISPERSION(-6dB)	100° x 100°	90° x 50°	110° x 25°(-17.5°/+7.5°)	110° x 25°(-17.5°/+7.5°)
CROSSOVER FREQUENCIES	2.6KHz passive	2.6KHz passive	2.5KHz passive	1.8KHz passive
INPUT CONNECTORS	2×Speakon NL4	2×Speakon NL4	2×Speakon NL4	2×Speakon NL4
PACKAGE SIZE	562×425×307mm (carton/pair)	935×335×250mm	1285×340×270mm	1285×340×270mm
NET WEIGHT	6 kg/pc	12 kg/pc	16 kg/pc	18 kg/pc
GROSS WEIGHT	15 kg/pair	14 kg/pc	19 kg/pc	21 kg/pc